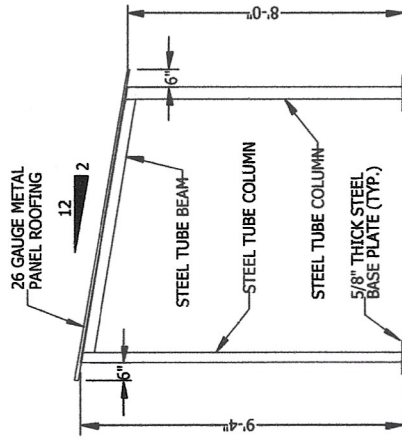
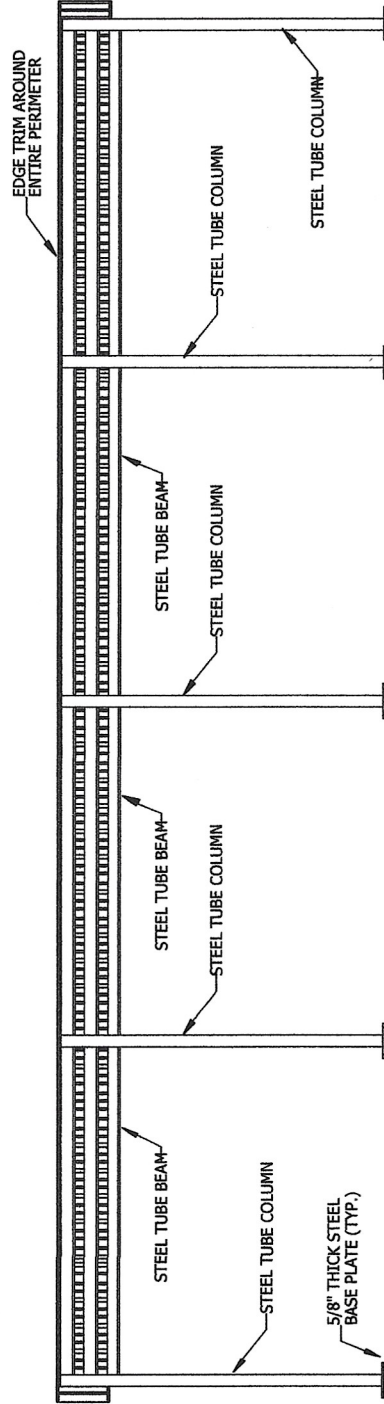


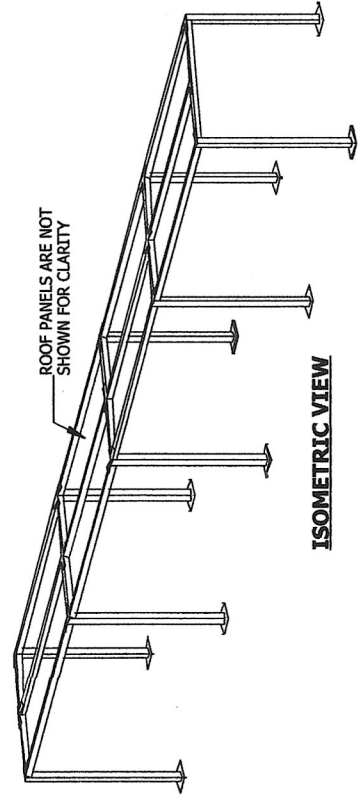
PLAN VIEW



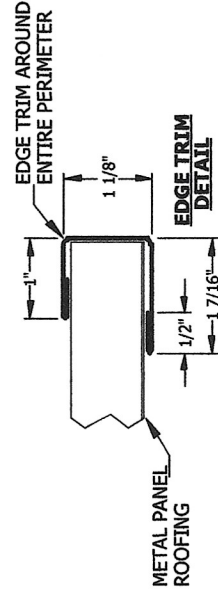
SIDE ELEVATION



FRONT ELEVATION



ISOMETRIC VIEW



EDGE TRIM DETAIL